

Poindus
COMPAL GROUP

VariPOS

Witness the Boundless Future

256 S / 256 A



reddot winner 2021



Features

Ultra-Slim Bezel Design for Modern Retail

Experience ultra-slim bezel design (4.8mm), with elegant and stylish appearance. Deliver a seamless viewing experience eliminating surrounding distractions.



15.6" True Flat Touch

Full HD Display with Virtually Borderless Widescreen

Deliver a clear, crisp and vivid High Definition picture which is perfect for highly complex and image-intensive retail applications.



Full HD 1920 x 1080

VarilO I/O Box Higher Scalability

Connect a single high-speed USB Type C to all peripherals which can both reduce service requirements and maximize uptime.



VarilO I/O Box (PE18)



VarilO I/O Mini (PE23)

Easier to Operate, Better to Serve

Dual hinged stand developed for wide angled flexibility, giving users an excellent viewpoint for a high degree of comfort and efficiency.



Higher Compatibility, Less Investment

VariPOS 2 Series uses common peripherals.
Cross compatibility reduces peripheral inventory
and lowers the total cost of ownership (TCO).



2nd Display



LCM



iButton



RFID



Fingerprint



MSR



Scanner

Ordering Information

VariPOS 256S (Optional VariIO I/O Mini)

PE17

- VariPOS 256S i5-7300U
- VariPOS 256S i3-6100U
- VariPOS 256S Celeron 3955U

Intel® Kaby Lake Core™ i5-7300U CPU up to 3.5 GHz
Intel® Sky Lake Core™ i3-6100U 2.3 GHz CPU
Intel® Sky Lake Celeron® 3955U 2.0 GHz CPU

VariPOS 256A (Optional VariIO I/O Mini)

PE22

- VariPOS 256A i5-8365UE
- VariPOS 256A i3-8145UE
- VariPOS 256A Celeron 4305UE

Intel® Whiskey Lake Core™ i5-8365UE up to 4.10 GHz CPU
Intel® Whiskey Lake Core™ i3-8145UE 3.90 GHz CPU
Intel® Whiskey Lake Celeron® 4305UE 2.00 GHz CPU

PE24

- VariPOS 256A Celeron J6412

Intel® Elkhart Lake Celeron® J6412 2.60GHz CPU



Multi-touch Screen



Dual Hinged Stand



Quick & Easy Maintenance



Extendable VariIO I/O Box
Custom Type C connector



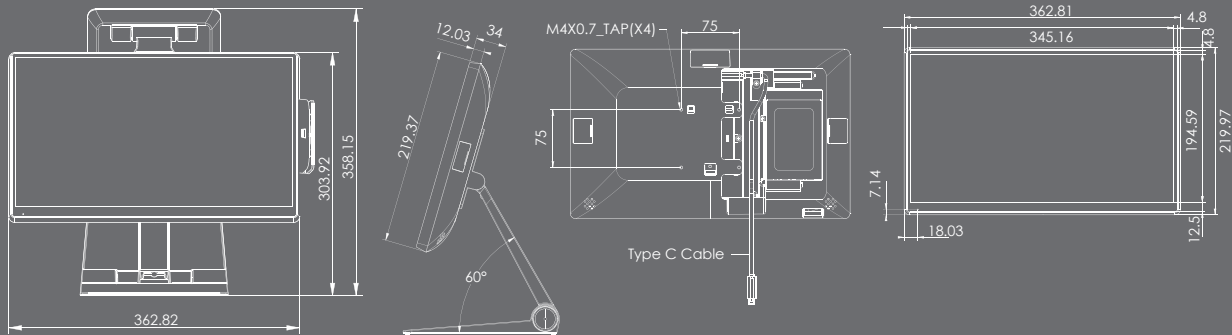
Specification

Model Name		• VariPOS 256S (PE17)	• VariPOS 256A (PE22)	• VariPOS 256A (PE24)
Main Board	Processor	Intel® Core™ i5-7300U Intel® Core™ i3-6100U Intel® Celeron® 3955U	Intel® Core™ i5-8365UE Intel® Core™ i3-8145UE Intel® Celeron® 4305UE	Intel® Celeron® J6412
	Chipset	CPU Integrated		
	System Memory	1 x SO-DIMM DDR4 slot, 4GB RAM as standard. Max. memory support up to 16 GB.		
	TPM	Intel F/W		
	Intel AMT	Only i5 CPU		N/A
Display & Touch	LCD Size	15.6" 16:9 TFT LCD (LED backlight)		
	Bezel	Slim-Edge 4.8mm Bezel Design		
	Brightness	350 nits		
	Resolution	1920 x 1080 Full HD		
	Touch	True Flat Projected Capacitive Technology		
Storage	HDD/SSD	1 x SATA III (2.5")	1 x SATA III (2.5") or M.2 Storage (Option)	
Panel I/O	LAN Port	1 x Gigabit Ethernet by RJ-45		
	USB Port	2 x USB 3.0	2 x USB 2.0, 4 x USB 3.1	3 x USB 2.0, 3 x USB 3.1
	Speaker	HD Audio, 2W Speaker x 2		
	Power Switch	1 x power on/off button		
	COM Port	N/A	2 x RJ48 (Support DC+0/5/12v by BIOS setting, default setting is 0v)	
	Cash Drawer	N/A	1 x RJ11 (Support DC+12v or +24v (default)) port supports 2 cash drawers	
	DC Input	1 x Mini Din 4P (DC+19v only)		
VariIO I/O Box & Expansion (Optional) *Project Based - VariIO I/O Mini (PE23) for VariPOS 256A (PE22 &24)	Cash Drawer	1 x RJ-11 (Support DC +12V or +24V (default)) port supports 2 cash drawers	N/A	
	LAN Port	1 x Gigabit Ethernet by RJ-45	N/A	
	USB Port	2 x USB 3.0; 4 x USB 2.0	1 x USB 2.0	
	Powered USB Port (Optional)		2 x DC+12v Powered USB 1 x DC+24v Powered USB	
	COM Port	4 x RS-232 (jumper setting, support DC+0/5/12v, default setting is 0v)	N/A	
	Display port	N/A	1 x Display port	
	Type C	N/A	1 x Type C	
OS Support	Win 10 (64bit) / Win 7 (32bit/64bit)		Windows 10 (64bit) / Windows 11 (64bit)	
Power Adapter (External adapter)	External adapter, DC Model : Voltage:+19VDC, Std. 90watt (*VariPOS 256S, 256A / VariIO Non PUBS) (PE22) External adapter, DC Model : Voltage:+19VDC, Std. 65watt (*VariPOS 256A) (PE24) *PUBS will use 180 watt adapter			
Compliance	Certifications	CE, FCC, LVD, RoHS		
Material	Main Unit: Die-Cast Aluminum			
Color	Main Unit: Space Gray / Black			
Dimension (W x H x D mm)	362.8 x 304 x 175.3			
Environmental Condition	Operating	0°C ~ 40°C, 10% ~ 90% RH, non-condensing		
	Storage	-20°C ~ 60°C, 10% ~ 90% RH, non-condensing		

Model Name	• VariPOS 256S (PE17)	• VariPOS 256A (PE22)	• VariPOS 256A (PE24)
Optional Accessories	MSR	ISO 3-Tracks Slim MSR USB Type	
	iButton	Dallas Key Reader, USB Type	
	RFID	13.56Mhz USB Type	
	Fingerprint	Digital Persona U.are.U 4500 Module USB Type	
	Scanner	2D scanner, USB Type	
	2nd Display	10.1" Resolution 1280 x 800 (16:10 wide screen) USB Type, with or without True-flat P-cap 10 point Multi-touch	
	LCM	2x20 USB Type	

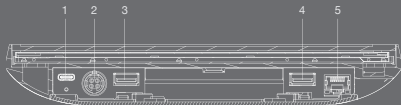
* The right has been reserved to change the specification without prior notice.

Dimensions



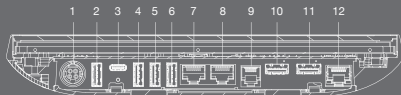
Panel PC IO Interface

VariPOS 256S (Sky Lake/Kaby Lake-PE17)



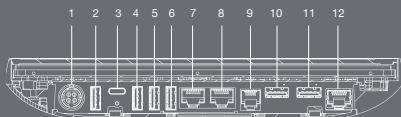
1. USB TYPE-C
2. DC 19V
3. USB 3.0
4. USB 3.0
5. LAN

VariPOS 256A (Whiskey Lake-PE22)



1. DC 19V
2. USB 3.1
3. USB Type C
4. USB 3.1
5. USB 2.0
6. USB 2.0
7. COM 1
8. COM 2
9. Cash Drawer
10. USB 3.1
11. USB 3.1
12. LAN

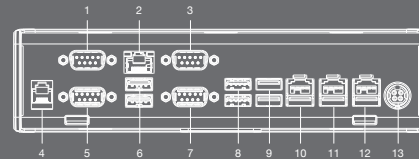
VariPOS 256A (Elkhart Lake-PE24)



1. DC 19V
2. USB 3.1
3. USB Type C
4. USB 2.0
5. USB 2.0
6. USB 2.0
7. COM 1
8. COM 2
9. Cash Drawer
10. USB 3.1
11. USB 3.1
12. LAN

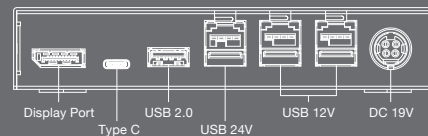
I/O Box

VariIO I/O Box (PE18)



1. COM 5
2. LAN
3. COM7
4. Cash Drawer
5. COM 4
6. USB
7. COM 6
8. USB
9. USB
10. PUBS 12V
11. PUBS 12V
12. PUBS 24V
13. DC 19V

VariIO I/O Mini (PE23)



1. Display Port
2. Type C
3. USB 2.0
4. USB 24V
5. USB 12V
6. DC 19V

Poindus
COMPAL GROUP



Poindus Systems Corp. Headquarters | www.poindus.com

5F, No.59, Ln. 77, Xing-Ai Rd., Neihu Dist., Taipei City 114, Taiwan. R.O.C

☎ + 886 27721 4688

📠 + 886 27721 2289

✉ sales@poindus.com

Germany

ADASYS GmbH Elektronische Komponenten
Max-Planck-Str. 10 70806 Kornwestheim

☎ + 49 7154 83000

📠 + 49 7154 8300 599

✉ info@adasys.de

UK

3 Devonshire Business Park, Basingstoke,
Hampshire, RG21 6XN, UK

☎ +44 (0)1256 331 336

✉ puk@poindus.com